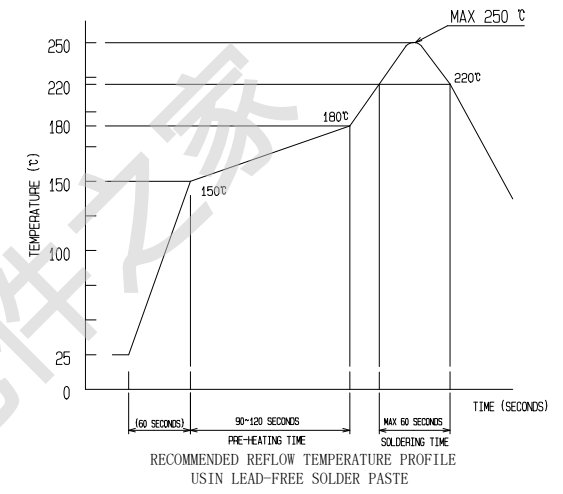
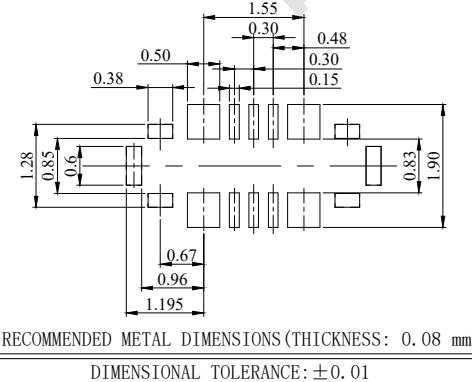
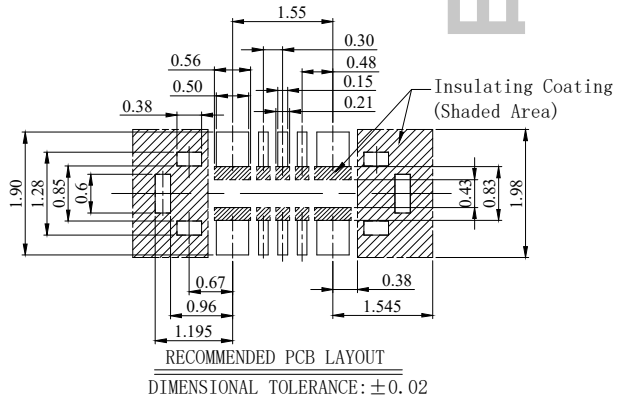
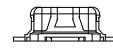
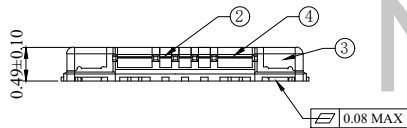
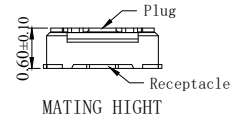
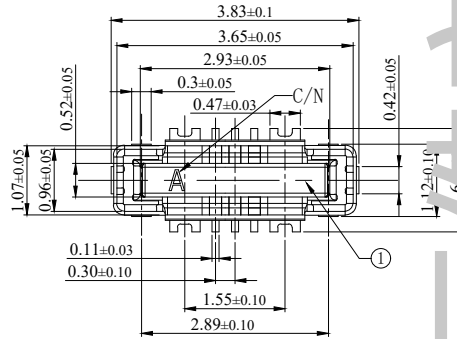


Rohs 2.0
Compliant



HF

REV.	ECN NUMBER	DESCRIPTION	DAET	DRAWN	CHECKED	APPROVED
A	/	NEW	2025.02.17	Qiang	GONG	LEO
B	ECN25-0011	为确保客户预留电流安全余量, 电源Pin允许最大电流变更为12A.	2025.05.13	Qiang	GONG	LEO



- NOTE:
1:SPECIFICATION:
- 1.1 Voltage Rating: 60V AC/DC
 - 1.2 Rated current : signal contact 0.3 AMPS/Pin
power contact 12 AMPS /(All power Pin)
 - 1.3 Temperature Range: -40 °C to +85°C
 - 1.4 Contact Resistance:
Signalpin:Initial:50mΩ MAX
AFTER TEST:Δ20mΩ
Power pin:Initial:15mΩ MAX
AFTER TEST:15mΩ MAX
 - 1.5 Insulation Resistance
Initial: 500 MΩ Minimum.
After test: 500 MΩ Minimum.
 - 1.6 Dielectric Withstanding Voltage
NO EVIDANCE OF BREAKDOWN IN AC 100 V,
1 MINUTE
 - 1.7 MATING-UNMATING FORCE:
MATING FORCE: 30N MAX
UNMATING FORCE: 3N MIN
 - 1.8 SALT WATER SPRAY: TEMPERATURE 35°C±2°C
DENSITY OF SALT WATER 5±1%
DURATION:48±2 HOUR
 - 1.9 Storage Temperature Range -40°C to +85°C
0 to 90 % RH (Relative humidity).

4	POWER CONTACT-B	COPPER ALLOY, AuAu ⁺ Min ON CONTACT AREA, Au1u ⁺ Min ON SOLDER AREA, Ni 50u ⁺ Min ALL OVER			
3	POWER CONTACT-A	COPPER ALLOY, AuAu ⁺ Min ON CONTACT AREA, Au1u ⁺ Min ON SOLDER AREA, Ni 50u ⁺ Min ALL OVER	7	REEL	PLASTIC
2	SIGNAL CONTACT	COPPER ALLOY, AuAu ⁺ Min ON CONTACT AREA, Au1u ⁺ Min ON SOLDER AREA, Ni 50u ⁺ Min ALL OVER	6	COVER TAPE	PLLYESTER
1	HOUSING	LCP , BLACK, UL 94 V-0	5	EMBOSSED CARRIER TAPE	PS

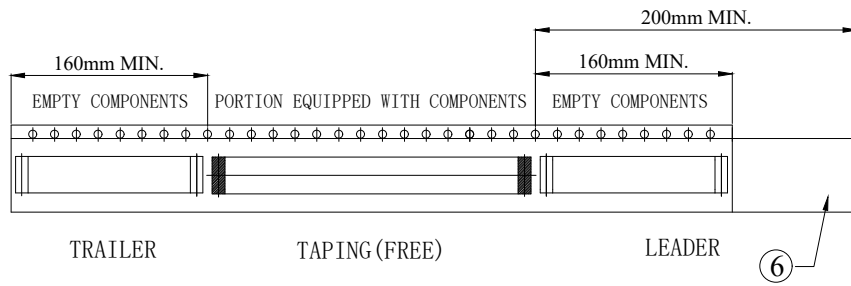
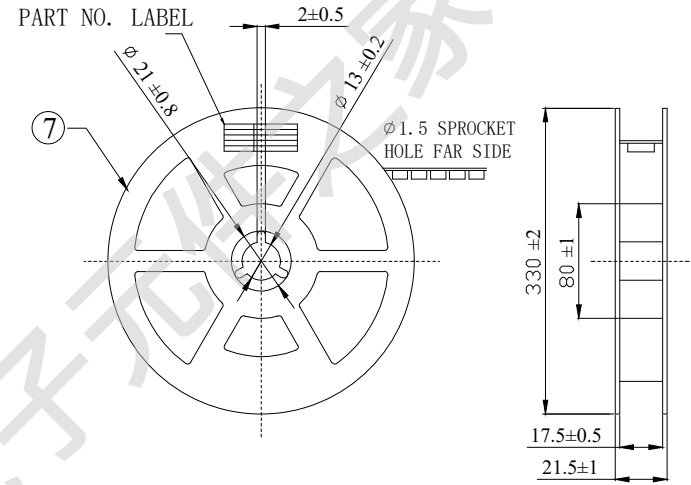
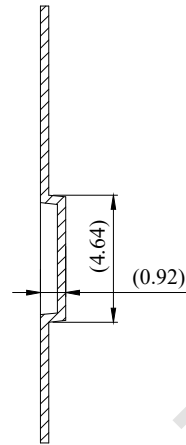
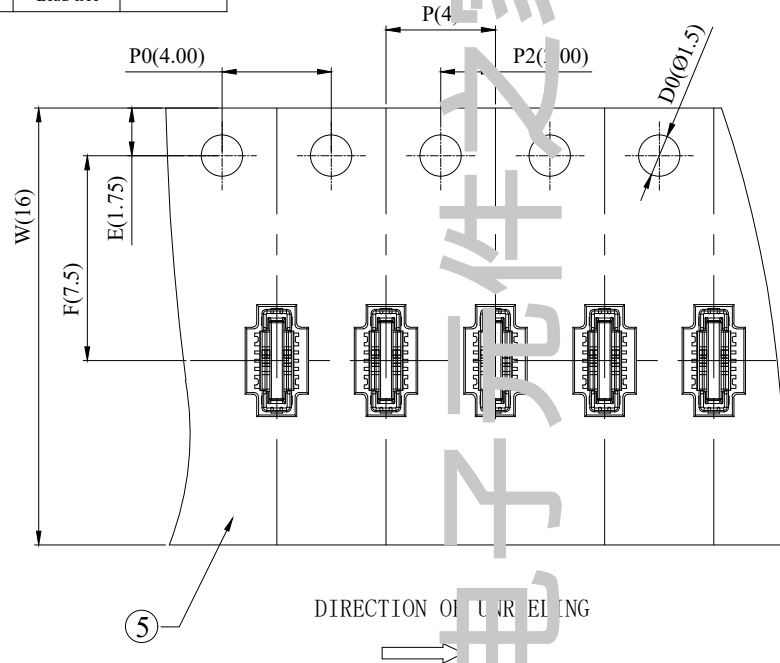
NO.	PART NAME	DESCRIPTION , REMARKS	NO.	PART NAME	DESCRIPTION , REMARKS
GENERAL	TOLERANCE	UNITS:mm	SCALE 1 : 1	TITLE: BTB CONN, Plug, MHO. 6, PO. 30mm, 6+6pin	
.X ± 0.30	.X* ± 5'	APPROVED	LEO	DRAWING NO. :	C-BB0043P-3
.X ± 0.20	.X* ± 3'	CHECKED	Gong	PART NO. :	BB0043P06A
.XX ± 0.15	.XX* ± 2'	DESIGNED	Qiang		



Rohs 2.0
Compliant



HF



STYLE AND DIMENSION OF REEL
PER REEL 15000 CONNECTORS

CPT 元精技术

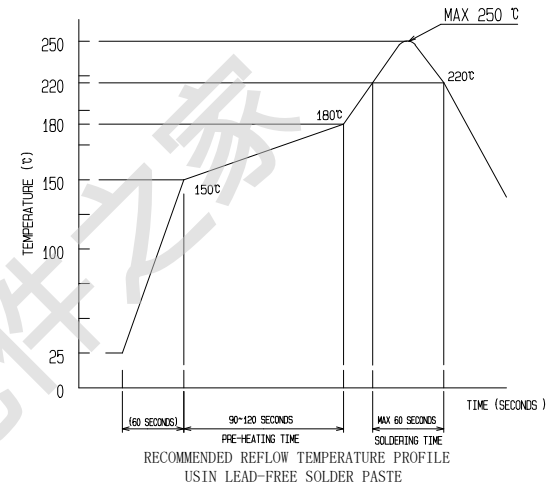
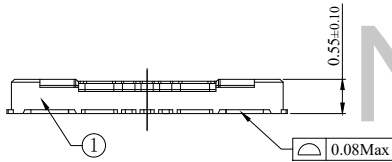
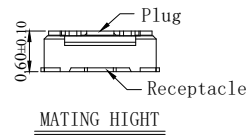
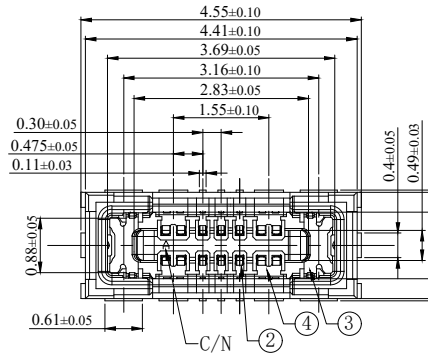
NO.	PART NAME	DESCRIPTION , REMARKS	NO.	PART NAME	DESCRIPTION , REMARKS
GENERAL	TOLERANCE	UNITS:mm SCALE 1 : 1	TITLE: BTB CONN,P1ug,MHO. 6,P0. 35mm, 6+6Pin		
.X. ± 0.30	.X.* ± 5*	APPROVED	LEO		DRAWING NO. : C-BB0043P-3
.X ± 0.20	.X* ± 3*	CHECKED	GONG		PART NO. : BB0043P06A
.XX ± 0.15	.XX* ± 2*	DESIGNED	Qiang		

Rohs 2.0 Compliant

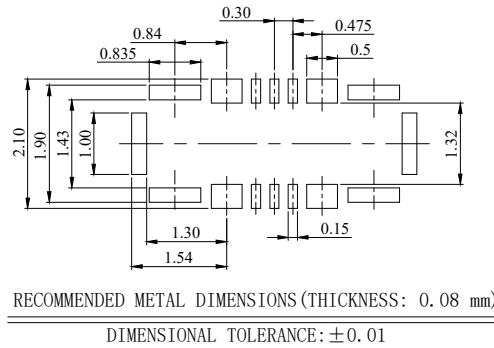
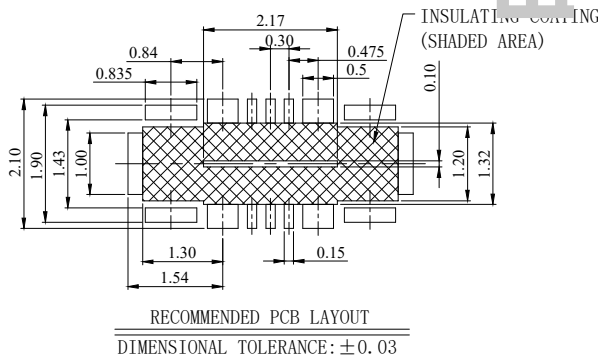


HF

REV.	ECN NUMBER	DESCRIPTION	DAET	DRAWN	CHECKED	APPROVED
A	/	NEW	2025.02.17	Qiang	GONG	LEO
B	ECN25-0011	为确保客户端预留电流安全余量，电源Pin允许最大电流变更为12A。	2025.05.13	Qiang	GONG	LEO



- NOTE:
1:SPECIFICATION:
- Voltage Rating: 60V AC/DC
 - Rated current : signal contact 0.3 AMPS/Pin
power contact 12 AMPS Max/(All power Pin)
 - Temperature Range: -40 °C to +85°C
 - Contact Resistance:
Signalpin:Initial:50mΩ MAX
AFTER TEST:Δ20mΩ
Power pin:Initial:15mΩ MAX
AFTER TEST:15mΩ MAX
 - Insulation Resistance
Initial: 500 MΩ Minimum.
After test: 500 MΩ Minimum.
 - Dielectric Withstanding Voltage
NO EVIDENCE OF BREAKDOWN IN AC 100 V,
1 MINUTE
 - MATING-UNMATING FORCE:
MATING FORCE: 30N MAX
UNMATING FORCE: 3N MIN
 - SALT WATER SPRAY: TEMPERATURE 35°C±2°C
DENSITY OF SALT WATER 5±1%
DURATION:48±2 HOUR
 - Storage Temperature Range -40°C to +85°C
0 to 90 % RH (Relative humidity).



4	POWER CONTACT-B	COPPER ALLOY, AuAu ⁺ Min ON CONTACT AREA, Au1u ⁺ Min ON SOLDER AREA, Ni 50u ⁺ Min ALL OVER			
3	POWER CONTACT-A	COPPER ALLOY, AuAu ⁺ Min ON CONTACT AREA, Au1u ⁺ Min ON SOLDER AREA, Ni 50u ⁺ Min ALL OVER	7	REEL	PLASTIC
2	SIGNAL CONTACT	COPPER ALLOY, AuAu ⁺ Min ON CONTACT AREA, Au1u ⁺ Min ON SOLDER AREA, Ni 50u ⁺ Min ALL OVER	6	COVER TAPE	PLLYESTER
1	HOUSING	LCP , BLACK, UL 94 V-0	5	EMBOSSED CARRIER TAPE	PS
NO.	PART NAME	DESCRIPTION , REMARKS	NO.	PART NAME	DESCRIPTION , REMARKS
GENERAL		TOLERANCE	UNITS:mm	SCALE 1 : 1	
X	± 0.30	X.* ± 5'	APPROVED	LEO	TITLE: BTB CONN, REC, MH0. 6, PO. 30mm, 6+6pin
.X	± 0.20	.X.* ± 3'	CHECKED	Gong	DRAWING NO. : C-BB0043R-3
.XX	± 0.15	.XX.* ± 2'	DESIGNED	Qiang	PART NO. : BB0043R06A

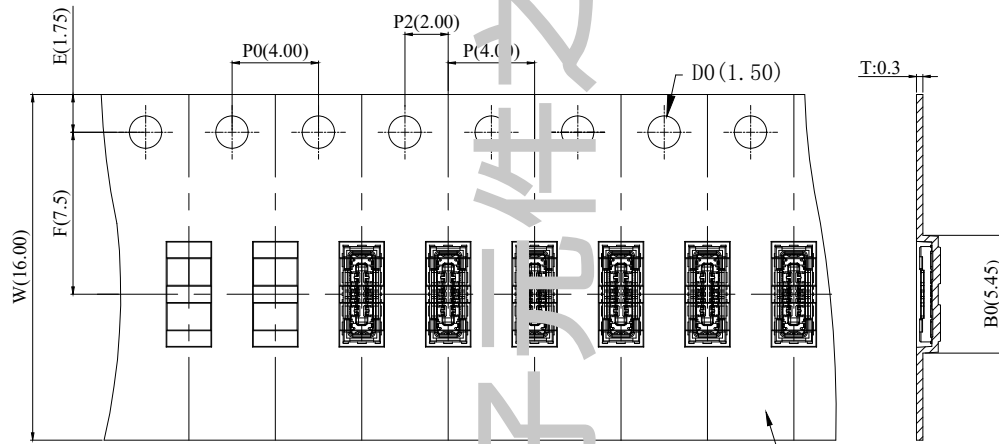
CPT 元精技术

B
1/2

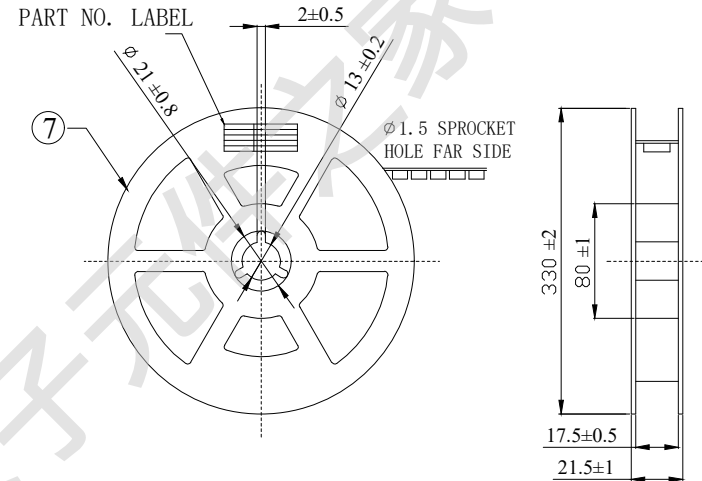
Rohs 2.0
Compliant



HF

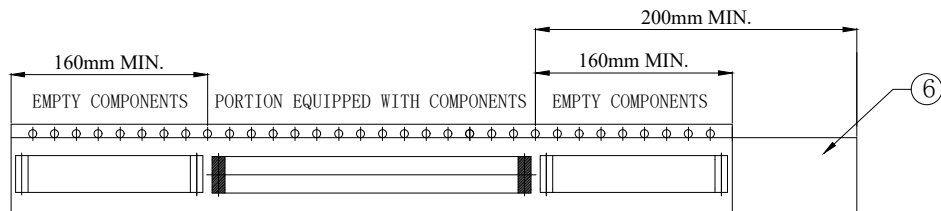


DIRECTION OF UNREELING



STYLE AND DIMENSION OF REEL

PER REEL 15000 CONNECTORS



TRAILER

TAPING (FREE)

LEADER

NO.	PART NAME	DESCRIPTION , REMARKS	NO.	PART NAME	DESCRIPTION , REMARKS
GENERAL	TOLERANCE	UNITS:mm SCALE 1 : 1	TITLE: BTB CONN, REC, M10. 6, P0. 30mm, 6+6pin		
.X ± 0.30	.X' ± 5'	APPROVED	LEO		DRAWING NO. : C-BB0043R-3
.X ± 0.20	.X' ± 3'	CHECKED	Gong		PART NO. : BB0043R06A
.XX ± 0.15	.XX' ± 2'	DESIGNED	Qiang		

CPT 元精技术

B
2/2